

SUNPOD/ORBIT™

Hanging Kit

Instructions for Model#1093

Important Safety Instructions Page 2
Installation Instructions Page 3-4



EMAIL: INFO@CURRENT-USA.COM
WWW.CURRENT-USA.COM
06-2005-JEE

SAFETY INSTRUCTIONS

WARNING

To guard against injury, basic safety precautions should be observed, including the following:

READ AND FOLLOW ALL SAFETY INSTRUCTIONS

DANGER

To avoid possible electric shock, special care should be taken since water is employed in the use of aquarium equipment. For each of the following situations, do not attempt repairs by yourself; return the appliance to an authorized service facility for service or discard the appliance:

1. If electrical components of the fixture get wet, unplug the appliance immediately.
2. Carefully examine the fixture after installation. It should not be plugged in if there is water on parts not intended to be wet.
3. Do not operate fixture if it has a damaged cord or plug, or if it is malfunctioning or damaged in any manner. See the drip loop instructions on the next page for proper power cord installation.
4. If the plug or receptacle does get wet, DON'T unplug the cord. Disconnect the fuse or circuit breaker that supplies power to the fixture. Then, unplug and examine for presence of water in the receptacle.
5. Close supervision is necessary when any appliance is used by or near children.
6. To avoid injury, do not contact hot parts such as lamps and the like.
7. Always unplug the fixture from an outlet when not in use, before putting on or taking off parts, and before cleaning. Never yank cord to pull plug from outlet. Grasp the plug and pull to disconnect.
8. Do not use the fixture for other than intended use. The use of attachments not recommended or sold by the fixture manufacturer may cause an unsafe condition.
9. Do not install or store the fixture where it will be exposed to the weather or to temperatures below freezing.
10. Make sure the fixture is securely installed before operating it.
11. Read and observe all the important notices on the fixture.
12. If an extension cord is necessary, a cord with a proper rating should be used. A cord rated for less Amperes or watts than the fixture rating may overheat. Care should be taken to arrange the cord so that it will not be tripped over or pulled.

SAVE THESE INSTRUCTIONS



INSTALLATION INSTRUCTIONS

INSTRUCTIONS

REMOVING DOCKING MOUNTS

1. Ensure the power is turned off from the fixture. Slide the bottom cover approximately 2" out (Fig. 2) and slide docking mounts out of outer track (Fig. 2). Slide bottom cover back into place (Fig. 3).

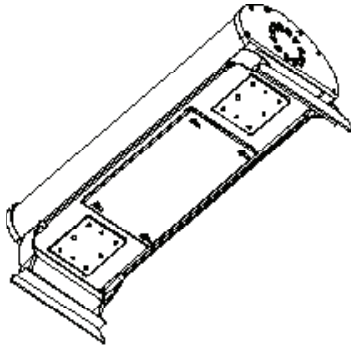


FIG. 1

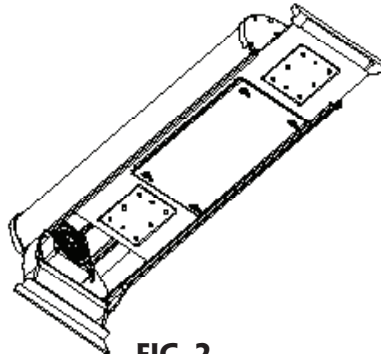


FIG. 2

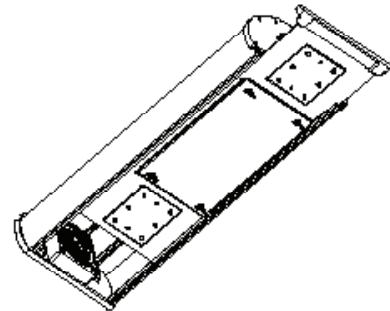


FIG. 3

MOUNTING BRACKETS

** These brackets are designed for mounting the Orbit or SunPod to the hanging kit. They are NOT designed for mounting the fixture into a canopy. Installations must be used with a glass top.

1. Ensure power is turned off from the fixture. Remove two top screws from each side panel (Fig. A).
2. Slide the brackets into place, top side facing up as shown (Fig. B). Thread top two screws back in place to attach bracket firmly to the side.
3. Place fixture up into canopy, screw into place by screwing the canopy bracket into the underside of the canopy. **

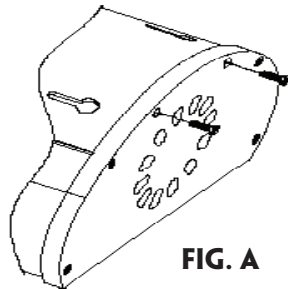
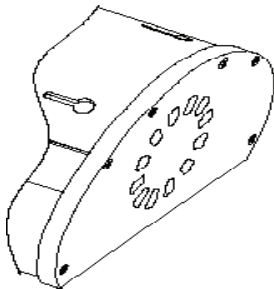


FIG. A

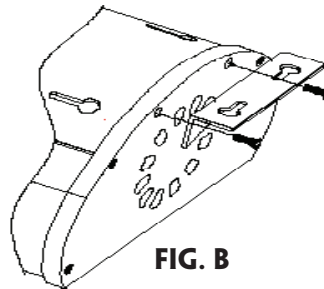
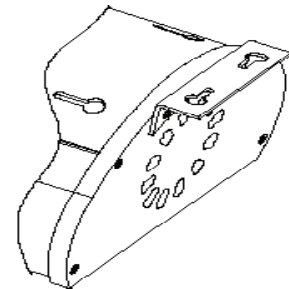


FIG. B



INSTALLATION INSTRUCTIONS

DANGER

To avoid possible electric shock, special care should be taken since water is employed in the use of aquarium equipment. For each of the following situations, do not attempt repairs by yourself. Return the appliance to your retailer or discard the appliance.

- If an electrical appliance falls into the water, or water drips onto the electronics, DON'T reach for it! First unplug it and then retrieve it. If electrical components of the appliance get wet, unplug the appliance immediately.
- Always unplug appliance from an outlet when not in use, before putting on or taking off parts, and before cleaning. Never yank cord to pull plug from outlet. Grasp the plug fully and pull out to disconnect.

Hanging Instructions:

1. Locate wood beam in ceiling. Using mounting bracket as a template, drill two pilot holes in the intended locations. NOTE: Due to the weight of the SunPod, it is NOT recommended for drywall installations.
2. Slide hanging screws into bracket top down. Place mounting bracket on ceiling and screw into wood beam using wood screws.
3. Align hanging screws with mounting cap and slide screws through the cap. Thread hanging cap bolts on and tighten.
4. Adjust hanging wire to desired height by pressing the wire outlet in and sliding cable in and out. NOTE: Ensure that the fixture is unplugged from the AC outlet! Slide cable connectors into the keyhole slots located on the mounting brackets and hang fixture.
5. Adjust and level the height of the fixture using Step#4 above.

