

# **NOVA EXTREME RETROFIT™**

## High Output T5 Lighting Kit

Instructions for Model  
Nova Extreme Retrofit Model#1130-1135

Important Safety Instructions ..... Page 2  
Installation Instructions ..... Page 4  
Warranty ..... Page 7



**CURRENT**

WHAT'S NEXT

EMAIL: [INFO@CURRENT-USA.COM](mailto:INFO@CURRENT-USA.COM)

[WWW.CURRENT-USA.COM](http://WWW.CURRENT-USA.COM)

05-2006-JEE

# SAFETY INSTRUCTIONS

## WARNING

To guard against injury, basic safety precautions should be observed, including the following:

## READ AND FOLLOW ALL SAFETY INSTRUCTIONS

## DANGER

To avoid possible electric shock, special care should be taken since water is employed in the use of aquarium equipment. For each of the following situations, do not attempt repairs by yourself; return the appliance to an authorized service facility for service or discard the appliance:

1. If electrical components of the fixture get wet, unplug the appliance immediately.
2. Carefully examine the fixture after installation. It should not be plugged in if there is water on parts not intended to be wet.
3. Do not operate fixture if it has a damaged cord or plug, or if it is malfunctioning or damaged in any manner. See the drip loop instructions on the next page for proper power cord installation.
4. If the plug or receptacle does get wet, DON'T unplug the cord. Disconnect the fuse or circuit breaker that supplies power to the fixture. Then, unplug and examine for presence of water in the receptacle.
5. Close supervision is necessary when any appliance is used by or near children.
6. To avoid injury, do not contact hot parts such as lamps and the like.
7. Always unplug the fixture from an outlet when not in use, before putting on or taking off parts, and before cleaning. Never yank cord to pull plug from outlet. Grasp the plug and pull to disconnect.
8. Do not use the fixture for other than intended use. The use of attachments not recommended or sold by the fixture manufacturer may cause an unsafe condition.
9. Do not install or store the fixture where it will be exposed to the weather or to temperatures below freezing.
10. Make sure the fixture is securely installed before operating it.
11. Read and observe all the important notices on the fixture.
12. If an extension cord is necessary, a cord with a proper rating should be used. A cord rated for less Amperes or watts than the fixture rating may overheat. Care should be taken to arrange the cord so that it will not be tripped over or pulled.

## SAVE THESE INSTRUCTIONS



**CURRENT**

WHAT'S NEXT

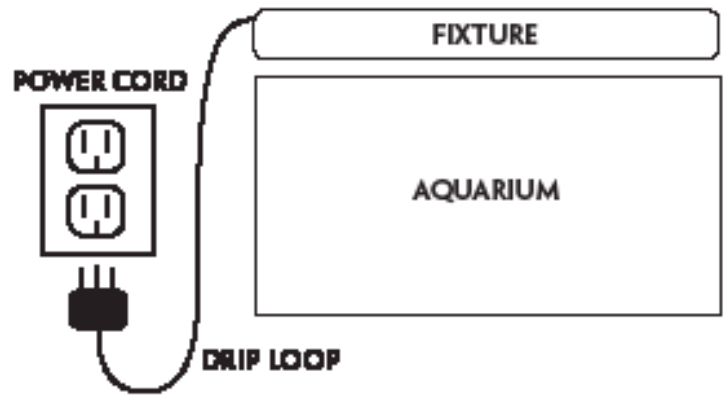
# SAFETY INSTRUCTIONS

## IMPORTANT SAFETY INSTRUCTIONS

### WARNING

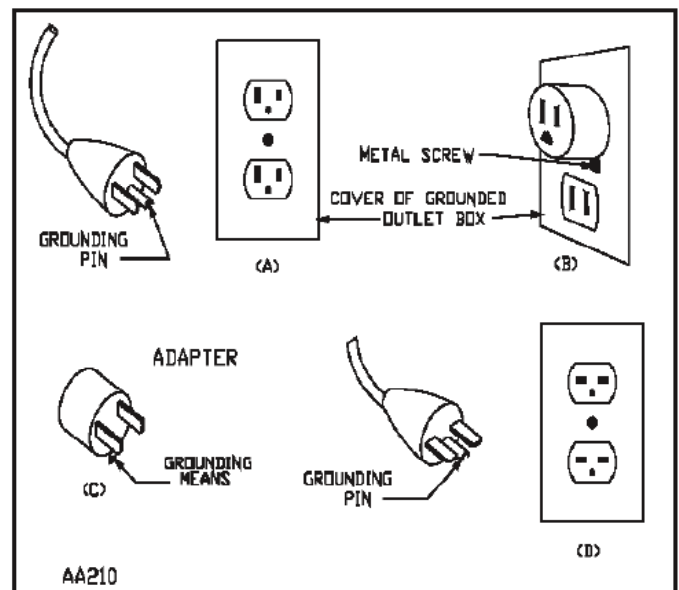
To guard against injury, basic safety precautions should be observed, including the following on drip loops:

To avoid the possibility of the appliance plug or receptacle getting wet, position aquarium stand and tank to one side of a wall-mounted receptacle to prevent water from dripping onto the receptacle or plug. A “drip loop,” shown in the figure below, should be arranged by the user for each cord connecting an aquarium appliance to a receptacle. The “drip loop” is that part of the cord below the level of the receptacle, or the connector if an extension cord is used, to prevent water traveling along the cord and coming in contact with the receptacle. If the plug or receptacle does get wet, DON'T unplug the cord. Disconnect the fuse or circuit breaker that supplies power to the appliance. Then, unplug and examine for presence of water in the receptacle.



## GROUNDING INSTRUCTIONS

This appliance should be grounded to minimize the possibility of electric shock. This appliance is equipped with an electric cord having an equipment grounding conductor and a grounding type plug. The plug must be plugged into an outlet that is installed and grounded in accordance with all appropriate codes and ordinances. This appliance is for use on a nominal 120-volt circuit, and has a grounding plug that looks like the plug illustrated in (A) to the right. A temporary adapter which looks like the adapter illustrated in (B) and (C) below may be used to connect this plug to a two-pole receptacle as shown in (B) if a grounded outlet is not available. The temporary adapter should be used only until a grounded outlet can be installed by a qualified electrician. The green-colored rigid ear (lug, and the like) extending from the adapter must be fastened to a permanent ground such as a grounded outlet box.



SAVE THESE INSTRUCTIONS



**CURRENT**

WHAT'S NEXT

# INSTALLATION INSTRUCTIONS

## CONGRATULATIONS ON PURCHASING YOUR NEW NOVA EXTREME T5HO RETROFIT SYSTEM

Please carefully read all instructions and warnings below and enjoy your new lighting system.

In order to validate your warranty, please fill out the enclosed registration card or go online to our website <http://www.current-usa.com> to register your product electronically.

The Nova Extreme Retrofit is designed to supplement existing lighting or completely retrofit a new setup with the power of Nova Extreme SlimPaq T5HO lamps. Your Nova Extreme Retrofit kit features SlimPaq T5HO lamps, parabolic reflectors, a performance driven electronic ballast and waterproof BJB endcaps.

Retrofit must be used over a completely covered aquarium - direct water contact and moisture from evaporation can damage the bulbs and endcaps.

Retrofit is designed to be installed inside a well-ventilated hood or canopy - a fan is recommended to allow bulbs to burn at their proper color temperature and extend life span.

Ballasts and electrical connections must be kept away from moisture - a GFCI protected outlet must be used when installing this retrofit.

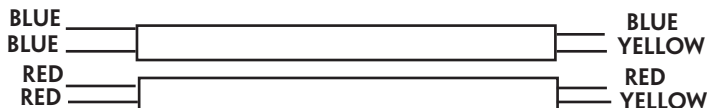
**NOTE: READ ALL INSTRUCTIONS AND WARNINGS LISTED WITHIN THIS MANUAL. PLEASE ALSO READ ALL WARNINGS AFFIXED TO THE FIXTURE.**

The Nova Extreme T5HO Retrofit kit comes with the hardware for installing the kit into a wooden canopy designed to accept retrofit lighting. Canopies made of other material, such as aluminum or acrylic, may require additional hardware or modification to accept this retrofit kit. Please consult the manufacturer of the canopy for their recommendations for mounting this retrofit.

## MOUNTING INSTRUCTIONS

Carefully remove the components from packaging.

1. Remove canopy from aquarium and place upside-down on a flat surface. Remove protective wrap from reflectors. Place reflectors on canopy in desired position. Disassemble endcaps for placement.
2. Place water proof endcaps at ends of reflector using wiring diagram below. Align the single holes of endcap and reflector attachment. Secure the endcaps and reflector using the sheet metal screws, first going through the endcap mount, then into the drilled holes in the reflector.



# INSTALLATION INSTRUCTIONS

## MOUNTING INSTRUCTIONS

3. Slide endcap attachment onto T5HO lamps, ensuring that the threaded portion of the endcap is facing the pins of the lamp. Gently push lamps into mounted endcaps and reassemble endcap by threading cap clockwise. Hand-tighten only to seal T5HO lamp into endcaps.

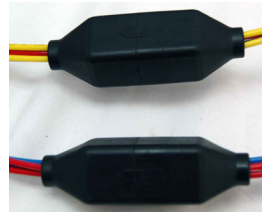
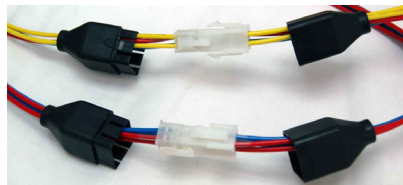


4. Place water proof endcaps at ends of reflector using wiring diagram below. Align the single holes of endcap and reflector attachment. Secure the endcaps and reflector using the sheet metal screws, first going through the endcap mount, then into the drilled holes in the reflector.



5. Carefully place canopy back onto aquarium, making sure there is a glass or acrylic cover between the lamps and the aquarium. Feed cords along inside edge of canopy. All connection cords should be coming out of the rear opening of the canopy and down the back of the aquarium.

6. Match colors of ballast wiring connectors to endcap wiring connectors. Plug the connections from the endcaps to ballast connection firmly together. Slide protective cover around connectors in place.



# INSTALLATION INSTRUCTIONS

## MOUNTING INSTRUCTIONS

7. Place ballast in a dry area where it is protected from the moisture or accidental overflow of the aquarium or water spillage. The ballast must be plugged into a GFCI protected outlet.

8. Switch on the lights. Make sure each lamp comes up to full brightness. If a lamp does not come on all the way or there is noise coming from the endcap region, turn off the ballast and check to make sure the lamp base is firmly seated into the endcap.

Your Nova Extreme Retrofit is now installed and ready for use.

## MAINTENANCE

Once per month, observe retrofit for signs of salt deposit and corrosion. If corrosion is found, remove from service and replace affected components.



**CURRENT**

WHAT'S NEXT



# WARRANTY

## CURRENT USA, INC. ONE-YEAR LIMITED WARRANTY

Current USA, Inc. warrants this product against defects in materials and workmanship for a period of ONE (1) YEAR from the date of original retail purchase. Light Bulbs carry a 3 month warranty.

Warranty on all Products, including Aquariums, is limited to replacement of the product and does not cover fish loss, personal injury, property loss or direct, incidental or consequential damage arising to the use of this product. Warranty on all Products, including Aquariums, is limited to replacement of the product and does not cover fish loss, personal injury, property loss or direct, incidental or consequential damage arising to the use of this product.

Note: Current-USA, Inc. One-Year Limited Warranty does not cover damage caused by the following: Improper installation, saltwater corrosion, and electrical surges.

If you discover a defect, Current USA, Inc. will, at its option, repair or replace the product at no charge to you, provided you return it during the warranty period. It is required that you present this warranty card and a copy of the bill of sale as proof of original purchase date, in the event the product needs repairs, within the warranty period. Please see your dealer for return options. This warranty applies only to products by or for Current USA, Inc. that can be identified by trade name, or logo affixed to them. Current-USA, Inc. does not warrant any products that are not Current-USA, Inc. products. This warranty does not apply if the product has been damaged by accident, abuse, misuse or misapplication or if the product has been modified without the written permission of Current-USA, Inc.; or if any Current-USA, Inc. logos have been removed or defaced.

THE WARRANTY AND REMEDIES SET FORTH ABOVE ARE EXCLUSIVE AND IN LIEU OF ALL OTHERS, WHETHER ORAL OR WRITTEN, EXPRESS OR IMPLIED. Current USA, Inc. SPECIFICALLY DISCLAIMS ANY AND ALL IMPLIED WARRANTIES, INCLUDING BUT NOT LIMITED TO LOST PROFITS, DOWNTIME, GOODWILL, DAMAGE TO OR REPLACEMENT OF EQUIPMENT AND PROPERTY, AND ANY COSTS OF RECOVERING ANIMALS, PLANTS, TANKS OR OTHER AQUARIUM RELATED ITEMS AND/OR EQUIPMENT. Current USA, Inc. IS NOT RESPONSIBLE FOR SPECIAL, INCIDENTAL, OR CONSEQUENTIAL DAMAGES RESULTING FROM ANY BREACH OF WARRANTY, OR REPLACEMENT OF EQUIPMENT OR PROPERTY, OR ANY COSTS OF RECOVERING OR REPRODUCING ANY EQUIPMENT, ANIMALS OR PLANTS USED OR GROWN WITH Current USA, Inc. PRODUCTS.

Some jurisdictions do not allow the exclusion or limitation of incidental or consequential damages or exclusions of implied warranties, so the above limitations or exclusions may not apply to you. This warranty gives you specific legal rights, and you may also have other rights that vary from jurisdiction to jurisdiction.