

# AQUAPOD™

## Nano-Aquarium

Instructions for 24 gallon HQI Model  
#7052

Warning and Safety Instructions .....	Page 2
Aquarium Installation .....	Page 3
Aquarium Guidelines .....	Page 5
Warranty .....	Page 6



**CURRENT**

WHAT'S NEXT

EMAIL: [INFO@CURRENT-USA.COM](mailto:INFO@CURRENT-USA.COM)  
WWW: [WWW.CURRENT-USA.COM](http://WWW.CURRENT-USA.COM)

# SAFETY INSTRUCTIONS

## WARNING

To guard against injury, basic safety precautions should be observed, including the following:

## READ AND FOLLOW ALL SAFETY INSTRUCTIONS

## DANGER

To avoid possible electric shock, special care should be taken since water is employed in the use of aquarium equipment. For each of the following situations, do not attempt repairs by yourself. Return the appliance to your retailer or discard the appliance.

- If an electrical appliance falls into the water, or water drips onto the electronics, DON'T reach for it! First unplug it and then retrieve it. If electrical components of the appliance get wet, unplug the appliance immediately.
- Always unplug appliance from an outlet when not in use, before putting on or taking off parts, and before cleaning. Never yank cord to pull plug from outlet. Grasp the plug fully and pull out to disconnect.
- Carefully examine the appliance after replacement. It should not be plugged in if there is water on parts not intended to be wet.
- Do not operate any appliance if it has a damaged cord or plug, or if it is malfunctioning or has been dropped or damaged in any manner.
- Do not use the product for anything other than its intended use. The use of attachments not recommended or sold by Current USA may cause unsafe conditions.
- Close supervision is necessary when any appliance is used by or near children.
- Exposing power cords to water may cause electrical short and fire.
- Do not allow water or salt to come in contact with lamps, ballasts or cooling fans.
- Do not operate pump without water flow to the unit. This may cause damage to the unit.
- Always use glass lens while fixture is in operation. When servicing tank, always unplug fixture and remove before removing glass lens.

## SAVE THESE INSTRUCTIONS

## GROUND FAULT CIRCUIT INTERRUPTER PROTECTION

To comply with the National Electrical Code (NFPA 70), and to provide additional protection from the risk of shock, this unit MUST be connected to a ground fault circuit interrupter (GFCI) outlet at all times. Do not use extension cords. WARNING – To reduce the risk of electrocution, keep all connections dry and off the ground. Do not touch plug with wet hands.



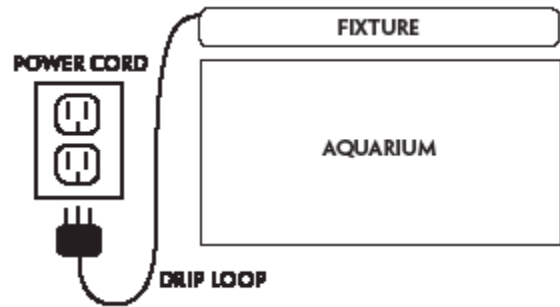
**CURRENT**

WHAT'S NEXT

# INSTALLATION

## WARNING

To avoid the possibility of the fixture plug getting wet, position aquarium stand and tank to one side of a wall-mounted receptacle to prevent water from dripping onto the receptacle or plug. A “drip loop,” shown in the figure below, should be arranged by the user for each cord connecting the tank to the receptacle. The “drip loop” is that part of the cord below the level of the receptacle, or the connector if an extension cord is used, to prevent water traveling along the cord and coming in contact with the receptacle. If the plug or receptacle does get wet, DON'T unplug the cord. Disconnect the fuse or circuit breaker that supplies power to the appliance. Then, unplug and examine for presence of water in the receptacle.



## INSTALLATION

1. Before removing your AquaPod aquarium from the box, please note any exterior shipping damage to the box. It is strongly recommended to keep the box and packaging material in the unlikely event there is shipping damage or service is required. If you notice any damage (broken glass, cracked lid, broken lamps, etc...) please stop and contact your dealer immediately. Inspect glass closely for any cracks.
2. Ensure tank is placed on a flat, level surface. The stand must be able to hold a maximum weight of 250 lbs.. Ensure location that has plenty of ventilation. If placing next to a wall, allow 3"-4" of space between wall and back of tank.
3. To install submersible pump, unwind power cord and slide cord thru the notch on the hinged back. Attach the plastic return fitting at the top of the flexible line to the inlet of the flat spray nozzle. Always ensure that an adequate water level is maintained to keep pump submersed. Running pump dry or not submersed will void warranty.
4. Place mechanical filter sponge block into the under the overflow of the filter chamber, biomedica (if used) and other media can be placed in back open chambers.



Ceramic Biomedica - Used for growing bacteria. Recommended for freshwater fish and marine fish tanks.

Note: Not recommended for use in Reef Tanks due to Nitrate build-up



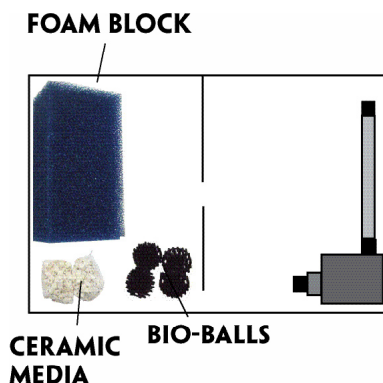
Bioballs - Used for growing bacteria and removing bubbles. Recommended for freshwater fish and marine fish tanks.



Sponge Filter - Used for mechanical filtering of water. Recommended for all tanks.

# INSTALLATION

Figure 1. Filter Media Placement in Back Chambers



5. Once all of the above steps are complete, the tank can be filled with water. Fill aquarium to just under the frame level.

6. Inspect for any leakage or other damage.

**IMPORTANT:** Do not allow the AquaPod pump to run without water at any time.

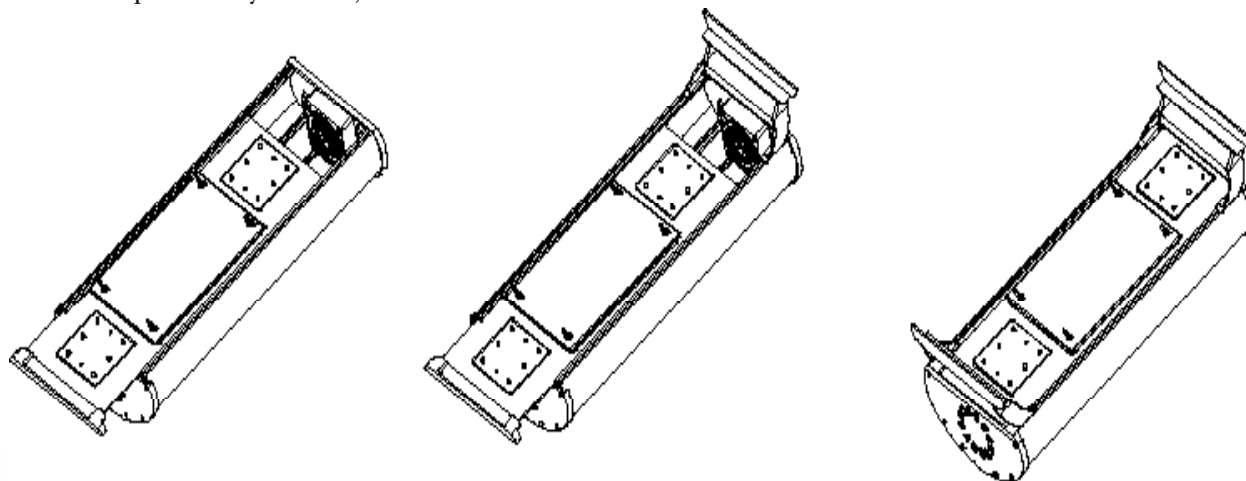
7. Create a drip loop (pgs. 2-3), plug cords into a GFCI receptacle. Water will begin to flow through the filter.

8. Unpack SunPod HQI fixture and install docking mounts to fit the frame of the tank. Ensure power is turned off from fixture. Slide bottom cover approximately 2" out and slide mounting legs into outer track. Slide bottom cover back in place (See Below Diagram.)

9. Place the light fixture above the aquarium.

10. Plug the 3 prong power cord into GFCI protected outlets. You may use a timer to automate the lighting cycle.

11. Plug the wall transformer into a 120V outlet to operate the Lunar Lights. These may also be operated by a timer, if desired.



# AQUARIUM GUIDELINES

## ADJUSTING FILTER WEIRS

The AquaPod is designed with a unique weir overflow system that can be used to effectively filter surface and submersed water. If desired, the filter plates can be removed to allow more sub-surface water to flow thru the chamber, or the weir can be blocked using all of the filter plates to allow surface water to skim over the filter weir. Surface skimming is the preferred method of filtration as it will promote gas exchange and effectively keep organics off of the surface of the water.

## MAINTENANCE

### **WARNING - ALWAYS UNPLUG ALL ELECTRICAL COMPONENTS WHEN PERFORMING MAINTENANCE.**

1. Cleaning of algae from inside of tank glass could be required every few days or more depending upon water quality. Always use an aquarium sponge or scraper, never use any type of soap or other cleaner.
2. Routine water changes should be done once every 2-4 weeks. A gravel siphon (purchased at the local fish store) should be used to gently clean the substrate and siphon 20% of old water. Replace only with DECHLORINATED water. If the tank is setup as a marine tank, ensure that water being replaced is salt water at the appropriate salinity.
3. The sponge filter should be removed from the tank once every 2 weeks and gently rinsed to remove dirt and debris. Replace after cleaning.
4. If using biomedica, never wash or clean under chlorinated water. If cleaning is required, remove media from filter and place in a small bowl of DECHLORINATED water. Gently wash in bowl and replace.
5. Once every 6 months, remove pump and clean inside impeller. Bacteria can often build-up and slow flowrate down.
6. Once per year, remove and replace PowerPaq HQI lamp. For removal, please read the instructions included with your Sunpod fixture.

For more information on this product - visit [www.current-usa.com](http://www.current-usa.com)

# WARRANTY

## CURRENT USA, INC. ONE-YEAR LIMITED WARRANTY

Current USA, Inc. warrants this product against defects in materials and workmanship of a period of ONE (1) YEAR from the date of original retail purchase. Light Bulbs carry a 3 month warranty.

Warranty on all Products, including Aquariums, is limited to replacement of the product and does not cover fish loss, personal injury, property loss or direct, incidental or consequential damage arising to the use of this product.

Note: Current-USA, Inc. One-Year Limited Warranty does not cover damage caused by the following: Improper installation, saltwater corrosion, and electrical surges.

If you discover a defect, Current USA, Inc. will, at its option, repair or replace the product at no charge to you, provided you return it during the warranty period. It is required that you present this warranty card and a copy of the bill of sale as proof of original purchase date, in the event the product needs repairs, within the warranty period. Please see your dealer for return options. This warranty applies only to products by or for Current USA, Inc. that can be identified by trade name, or logo affixed to them. Current-USA, Inc. does not warrant any products that are not Current-USA, Inc. products. This warranty does not apply if the product has been damaged by accident, abuse, misuse or misapplication or if the product has been modified without the written permission of Current-USA, Inc.; or if any Current-USA, Inc. logos have been removed or defaced.

THE WARRANTY AND REMEDIES SET FORTH ABOVE ARE EXCLUSIVE AND IN LIEU OF ALL OTHERS, WHETHER ORAL OR WRITTEN, EXPRESS OR IMPLIED. Current USA, Inc. SPECIFICALLY DISCLAIMS ANY AND ALL IMPLIED WARRANTIES, INCLUDING BUT NOT LIMITED TO LOST PROFITS, DOWNTIME, GOODWILL, DAMAGE TO OR REPLACEMENT OF EQUIPMENT AND PROPERTY, AND ANY COSTS OF RECOVERING ANIMALS, PLANTS, TANKS OR OTHER AQUARIUM RELATED ITEMS AND/OR EQUIPMENT. Current USA, Inc. IS NOT RESPONSIBLE FOR SPECIAL, INCIDENTAL, OR CONSEQUENTIAL DAMAGES RESULTING FROM ANY BREACH OF WARRANTY, OR REPLACEMENT OF EQUIPMENT OR PROPERTY, OR ANY COSTS OF RECOVERING OR REPRODUCING ANY EQUIPMENT, ANIMALS OR PLANTS USED OR GROWN WITH Current USA, Inc. PRODUCTS.

Some jurisdictions do not allow the exclusion or limitation of incidental or consequential damages or exclusions of implied warranties, so the above limitations or exclusions may not apply to you. This warranty gives you specific legal rights, and you may also have other rights that vary from jurisdiction to jurisdiction.