

# AQUAPOD STAND

## Knockdown Aquarium Stand

Instructions for Model#7054

Safety & Assembly Instructions .....	Page 2
Assembly Instructions & Diagram .....	Page 3
Warranty .....	Page 4



**CURRENT**

WHAT'S NEXT

EMAIL: [INFO@CURRENT-USA.COM](mailto:INFO@CURRENT-USA.COM)

[WWW.CURRENT-USA.COM](http://WWW.CURRENT-USA.COM)

06-2005-JEE

# ASSEMBLY INSTRUCTIONS

## READ AND FOLLOW ALL SAFETY INSTRUCTIONS

### SAFETY INSTRUCTIONS - DANGER

To avoid possible electric shock, special care should be taken since water is employed in the use of aquarium equipment. For each of the following situations, do not attempt repairs by yourself; return the appliance to an authorized service facility for service or discard the appliance:

1. If electrical components of the tank, stand or fixture get wet, unplug the appliance immediately.
2. Carefully examine the stand after installation. Components should not be plugged in if there is water on parts not intended to be wet.
3. Do not get stand wet. If stand is damaged or show signs of water damage, do not use.

## ASSEMBLY INSTRUCTIONS

Unpack all components and inspect for damage. If any components are broken or have signs of water damage, do not use.

1. Install back wall (A) into left side panel by fitting wood pegs into holes (see Figure 1).
2. Install door handle (E&F) into left side wall as shown in Figure 1. Please note that this side panel does not open, door handle is for viewing purposes only. Install shelf holders (D).
3. Install right side panel (B) to the back wall by inserting wood pegs. Install shelf holders (D).
4. Place top piece over back wall (A) and side panels (B) and install four mounting screws (C). Note that top piece has only four large holes, the top of the top piece has recessed holes for the mounting screws.
5. Flip stand over and install bottom four mounting screws (C) into the bottom piece.
6. Flip stand upright and install metal door brackets into the right side wall by attaching small mounting screws thru metal brackets into the predrilled holes on the side wall.
7. Install door handle (E&F) into front door. Install and screw -in door mounts to door, then slide screw mounts onto metal door brackets located in the right side wall. Front door can now be adjusted using the screws on the metal door brackets.
8. Turn completed stand upside down and install bottom mounting feet (Parts G & H.)
9. Return stand to upright position. Ensure stand is on a level surface which is able to support a weight of 250 lbs.. Press on top of stand to ensure stand is solid and that all peices are tightened.

# ASSEMBLY

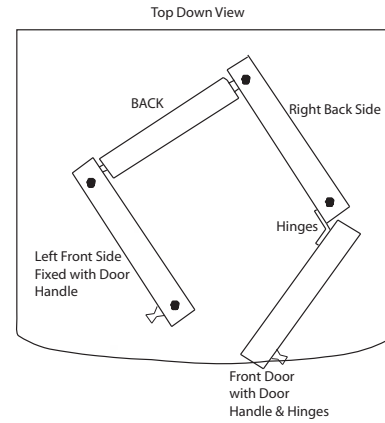
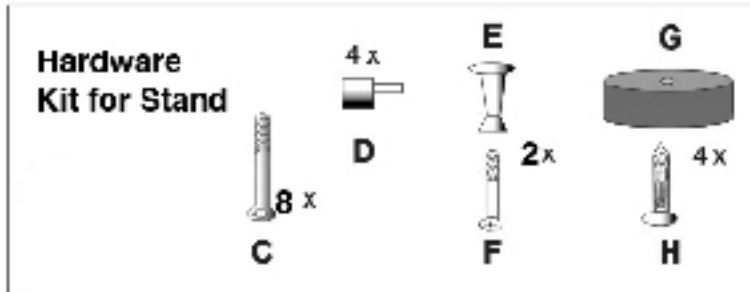
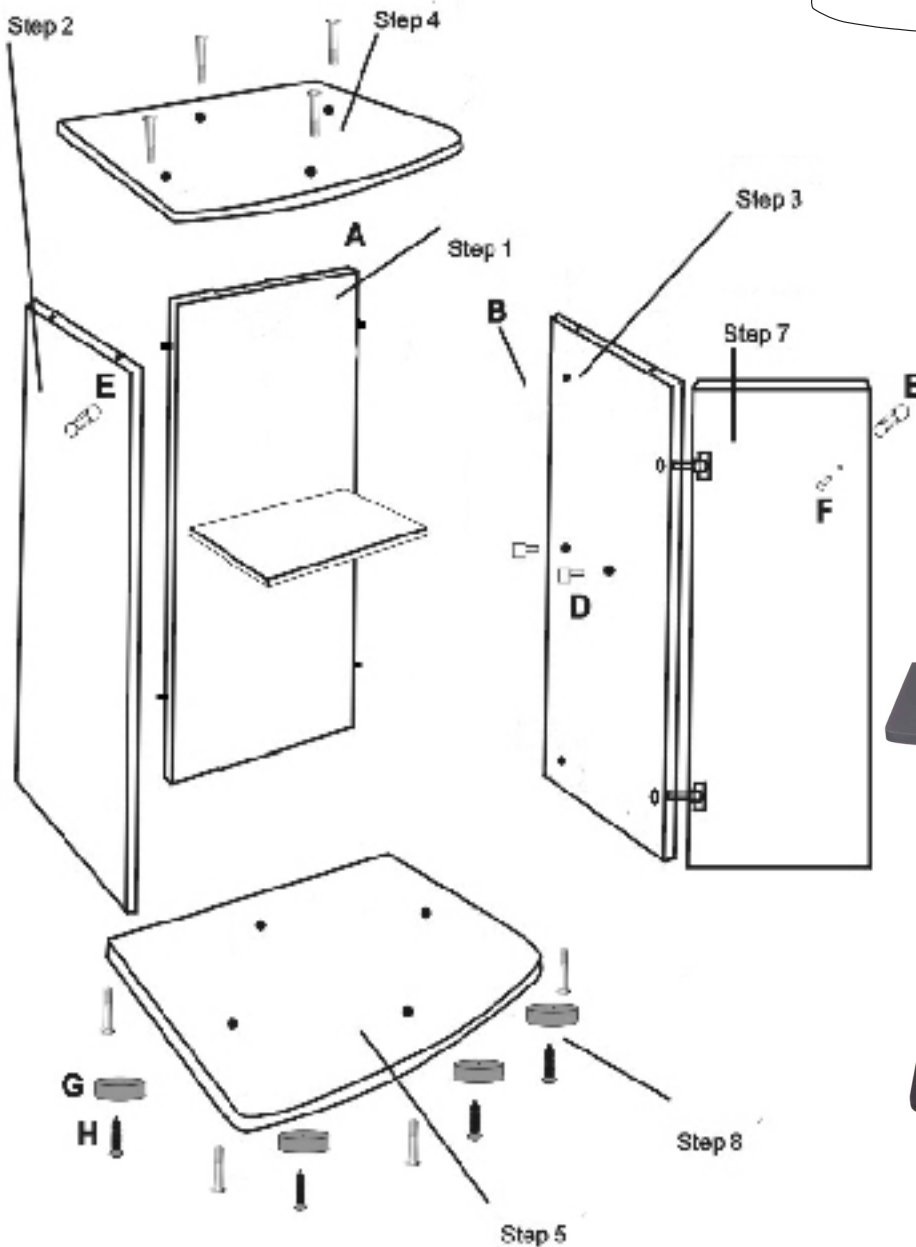


FIGURE 1



**CURRENT**

WHAT'S NEXT

# MAINTENANCE/WARRANTY

## CURRENT USA, INC. LIMITED WARRANTY

Current USA, Inc. warrants this product against defects in materials and workmanship for a period of Six (6) Months Note: Current-USA, Inc. Six Month Limited Warranty does not cover damage caused by the following: Improper installation, saltwater corrosion, and electrical surges.

If you discover a defect, Current USA, Inc. will, at it's option, repair or replace the product at no charge to you, provided you return it during the warranty period. It is required that you present this warranty card and a copy of the bill of sale as proof of original purchase date, in the event the product needs repairs, within the warranty period. Please see your dealer for return options. This warranty applies only to products by or for Current USA, Inc. that can be identified by trade name, or logo affixed to them. Current-USA, Inc. does not warrant any products that are not Current-USA, Inc. products. This warranty does not apply if the product has been damaged by accident, abuse, misuse or misapplication or if the product has been modified without the written permission of Current-USA, Inc.; or if any Current-USA, Inc. logos have been removed or defaced.

THE WARRANTY AND REMEDIES SET FORTH ABOVE ARE EXCLUSIVE AND IN LIEU OF ALL OTHERS, WHETHER ORAL OR WRITTEN, EXPRESS OR IMPLIED. Current USA, Inc. SPECIFICALLY DISCLAIMS ANY AND ALL IMPLIED WARRANTIES, INCLUDING BUT NOT LIMITED TO LOST PROFITS, DOWNTIME, GOODWILL, DAMAGE TO OR REPLACEMENT OF EQUIPMENT AND PROPERTY, AND ANY COSTS OF RECOVERING ANIMALS, PLANTS, TANKS OR OTHER AQUARIUM RELATED ITEMS AND/OR EQUIPMENT. Current USA, Inc. IS NOT RESPONSIBLE FOR SPECIAL, INCIDENTAL, OR CONSEQUENTIAL DAMAGES RESULTING FROM ANY BREACH OF WARRANTY, OR REPLACEMENT OF EQUIPMENT OR PROPERTY, OR ANY COSTS OF RECOVERING OR REPRODUCING ANY EQUIPMENT, ANIMALS OR PLANTS USED OR GROWN WITH Current USA, Inc. PRODUCTS.

Some jurisdictions do not allow the exclusion or limitation of incidental or consequential damages or exclusions of implied warranties, so the above limitations or exclusions may not apply to you. This warranty gives you specific legal rights, and you may also have other rights that vary from jurisdiction to jurisdiction.