

AQUARIUM STAND

Modern Style

Instructions for Model #7058



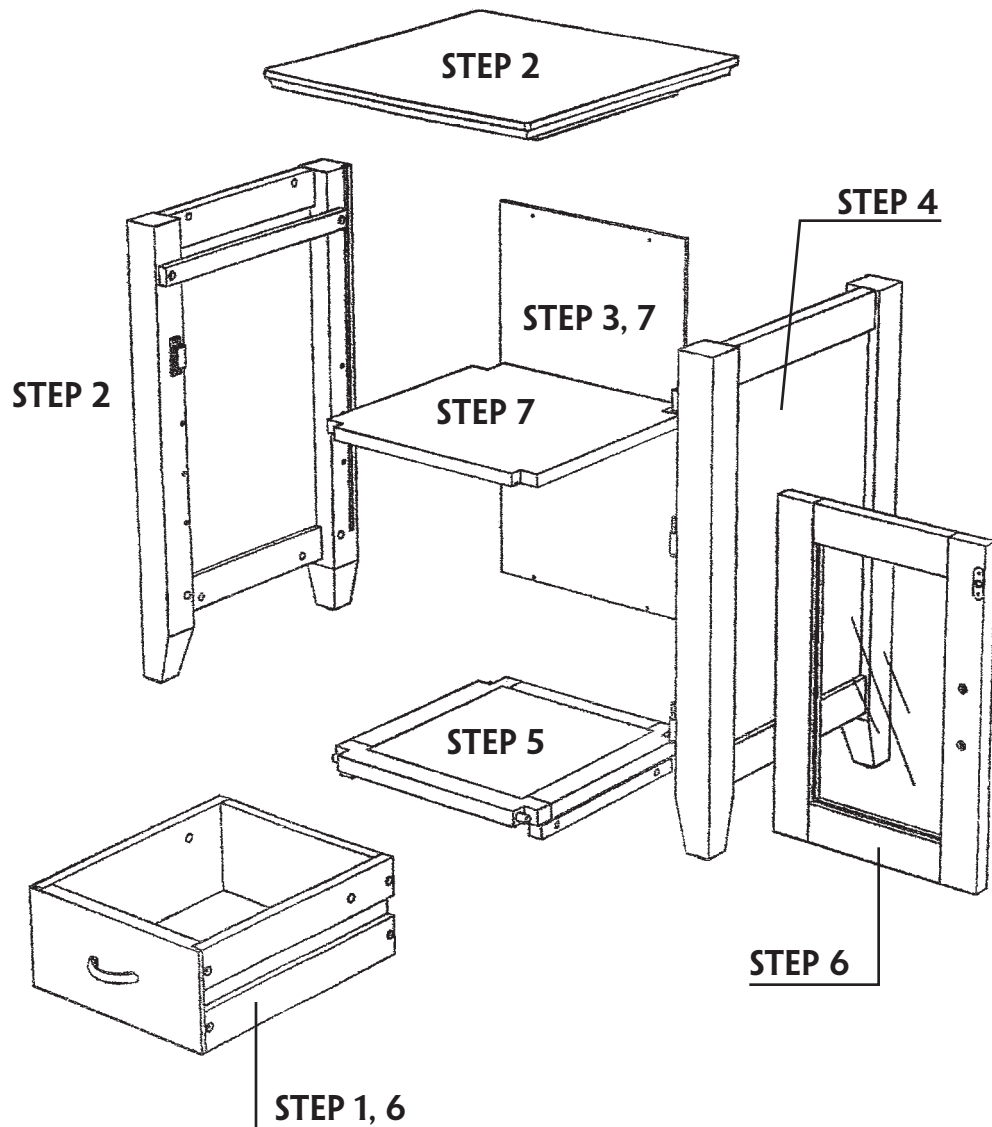
CURRENT

WHAT'S NEXT

EMAIL: INFO@CURRENT-USA.COM
WWW.CURRENT-USA.COM

ITEM IDENTIFICATION

For ease of identification, all parts are labeled to correspond to the step number in which the part is used.



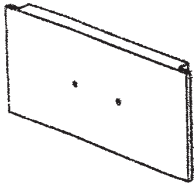
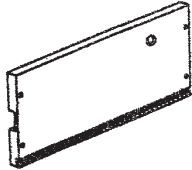
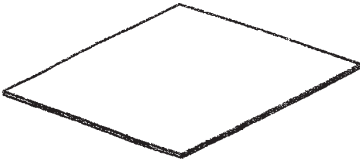
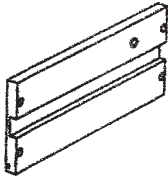

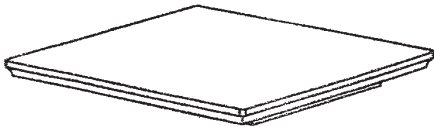

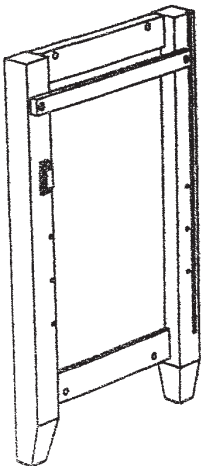
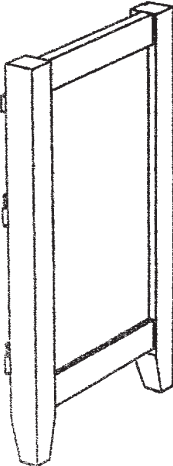
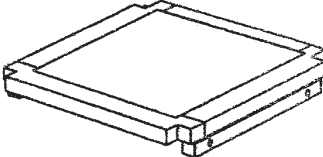

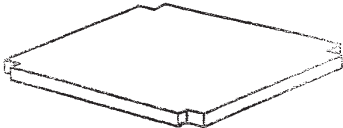
This product is a piece of furniture, not a toy. Never allow small children to touch, climb on or play with the stand. Serious injury or death could result. Use only a stand designed to support the weight and size of your equipment. (Note: This stand has a maximum weight load of 350 lbs.) This stand is designed only for use on level surfaces only. Failure to place your stand on a level surface could cause the aquarium to leak, crack or even tip or fall).



CURRENT

WHAT'S NEXT

PARTS IDENTIFICATION

<p>1A : DRAWER FRONT PANEL - 1 PC.</p> 	<p>1B : DRAWER LEFT SIDE PANEL - 1 PC.</p> 	<p>1C : DRAWER BOTTOM PANEL - 1 PC.</p> 
<p>1D : DRAWER RIGHT SIDE PANEL - 1 PC.</p> 	<p>1E : DRAWER BACK PANEL - 1 PC.</p> 	
<p>2A : TOP PANEL - 1 PC.</p> 	<p>3A : BACK PANEL - 1 PC.</p> 	
<p>2B : LEFT SIDE PANEL - 1 PC.</p> 	<p>4A : RIGHT SIDE PANEL - 1 PC.</p> 	<p>5A : BOTTOM PANEL - 1 PC.</p> 
<p>1F : PENDANT LIGHT PANEL - 1 PC.</p> 	<p>7A : BOTTOM PANEL - 1 PC.</p> 	






CURRENT

WHAT'S NEXT

HARDWARE IDENTIFICATION

For easier assembly, it is best to separate all of the hardware components into packs as shown below.
Please note that a Phillips head screwdriver will be required for assembly (not included).

HARDWARE PACK 1

DD		WOOD SCREW (LONG)	1 1/4"	8 PCS.
FF		HANDLE	3 1/4"	1 PC.
GG		KNOB SCREW	1"	2 PCS.

HARDWARE PACK 2

CC		K.D. SCREW	1 1/4"	2 PCS.
HH		HEX WRENCH		1 PC.




HARDWARE PACK 3

CC		K.D. SCREW	1 1/4"	2 PCS.
HH		HEX WRENCH		1 PC.




HARDWARE PACK 4

CC		K.D. SCREW	1 1/4"	4 PCS.
HH		HEX WRENCH		1 PC.

HARDWARE PACK 5

AA		WOOD DOWEL	3/8" X 2"	2 PCS.
FF		HANDLE	3 1/4"	1 PC.
GG		KNOB SCREW	1"	2 PCS.

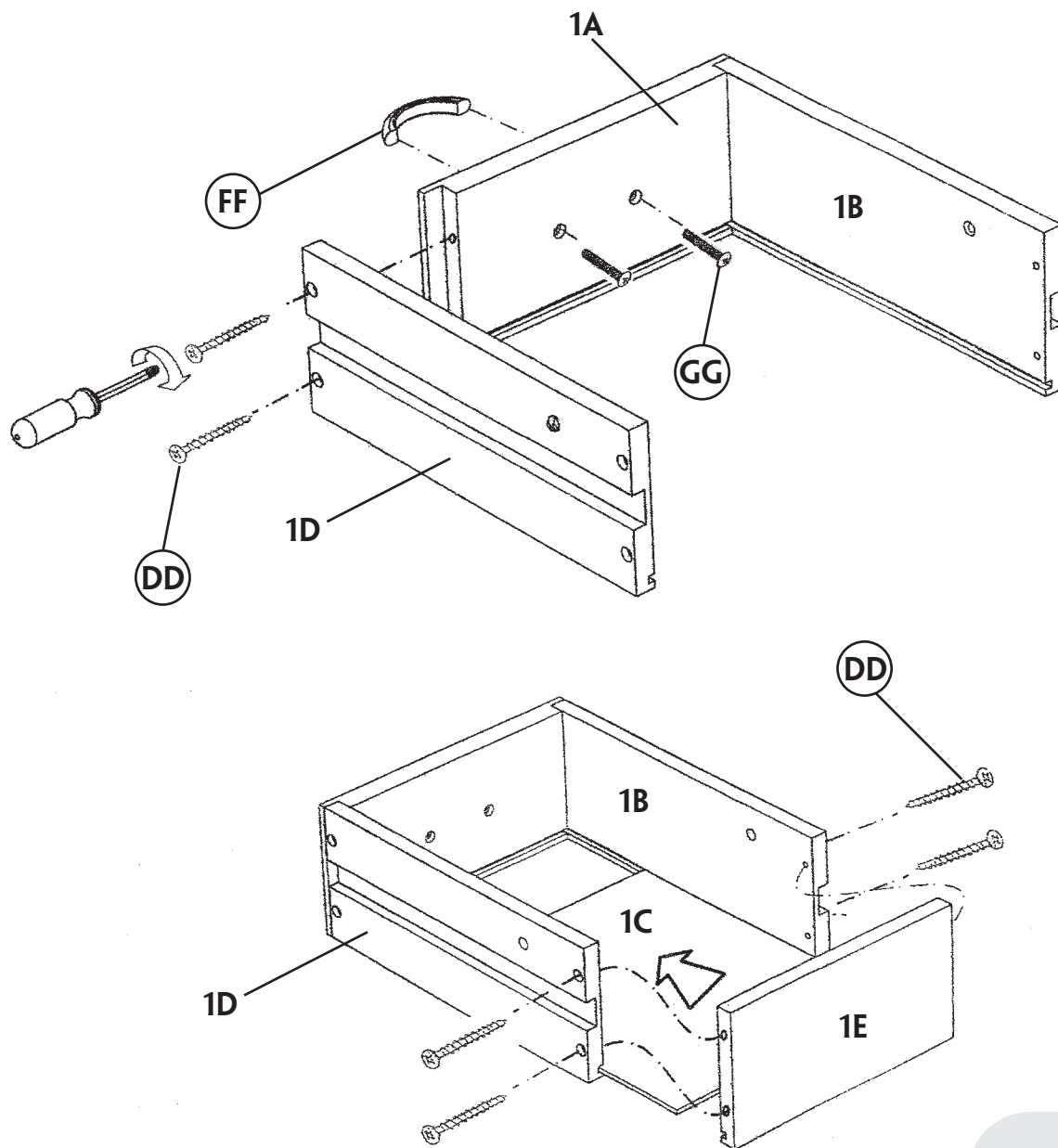
HARDWARE PACK 6

EE		WOOD SCREW (SHORT)	5/8"	4 PCS.
BB		METAL SHELF PIN	1/4" X 5/8"	5 PCS.
DD		WOOD SCREW (LONG)	1 1/4"	4 PCS.

STEP 1 : DRAWER ASSEMBLY

PRE-ASSEMBLY: We highly recommend assembling this stand on a flat, soft surface such as a thin carpet floor or towel. Assembly on a soft surface will help prevent scratching of any of the wood components.

Using Hardware Pack 1, assemble the drawer as show below.
Note that this section requires the use of a Phillips head screwdriver.

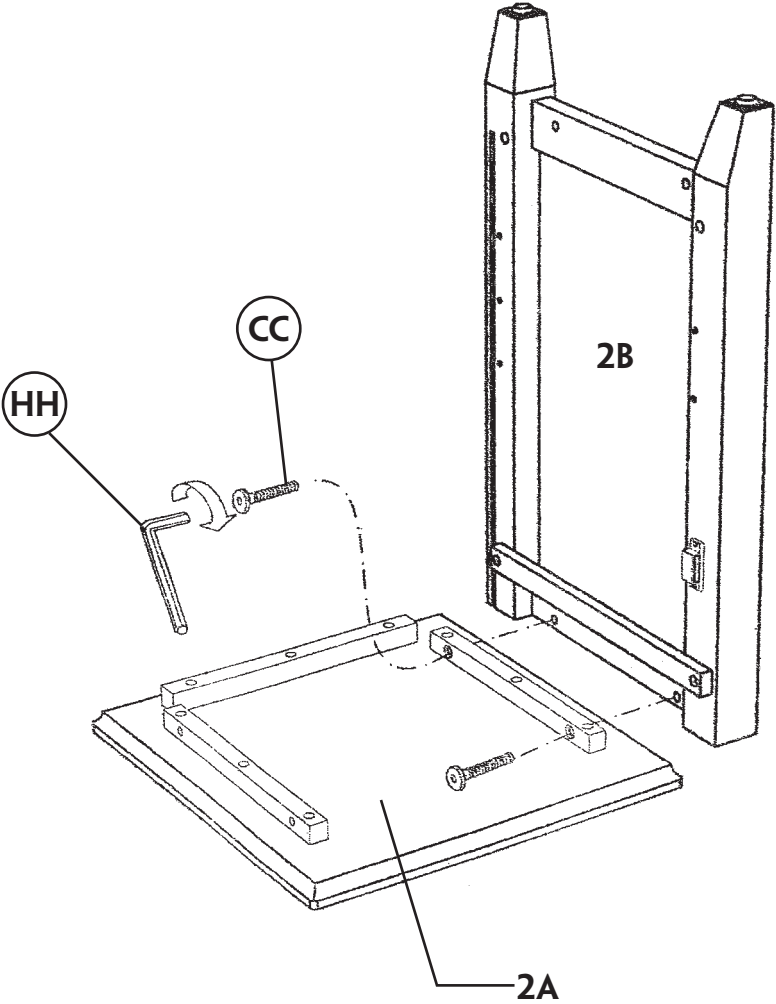


CURRENT

WHAT'S NEXT

STEP 2 : TOP PANEL AND LEFT SIDE PANEL ASSEMBLY

Using Hardware Pack 2, assemble the top panel and left side panel as shown below.

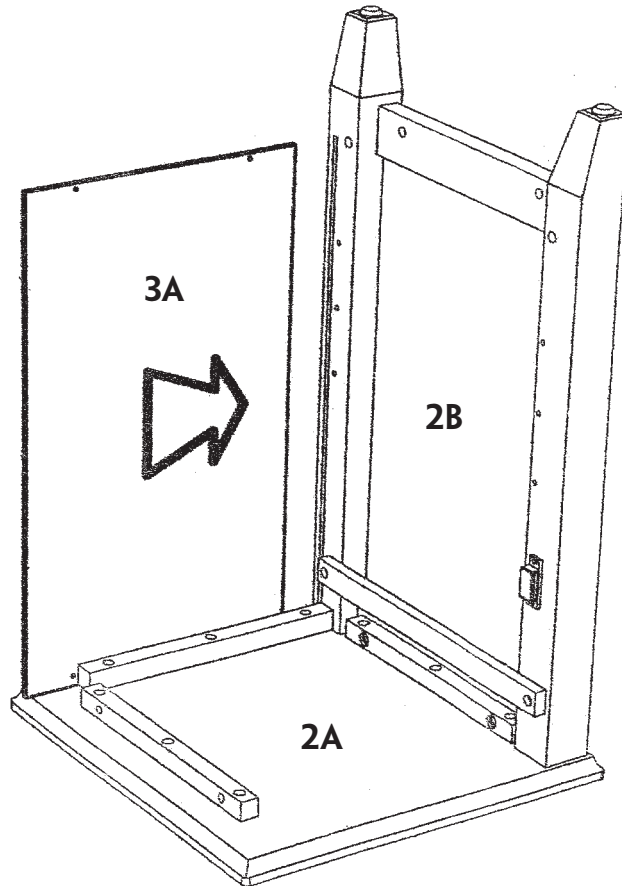


CURRENT

WHAT'S NEXT

STEP 3 : BACK PANEL ASSEMBLY

Using Hardware Pack 3, assemble the back panel as shown below.

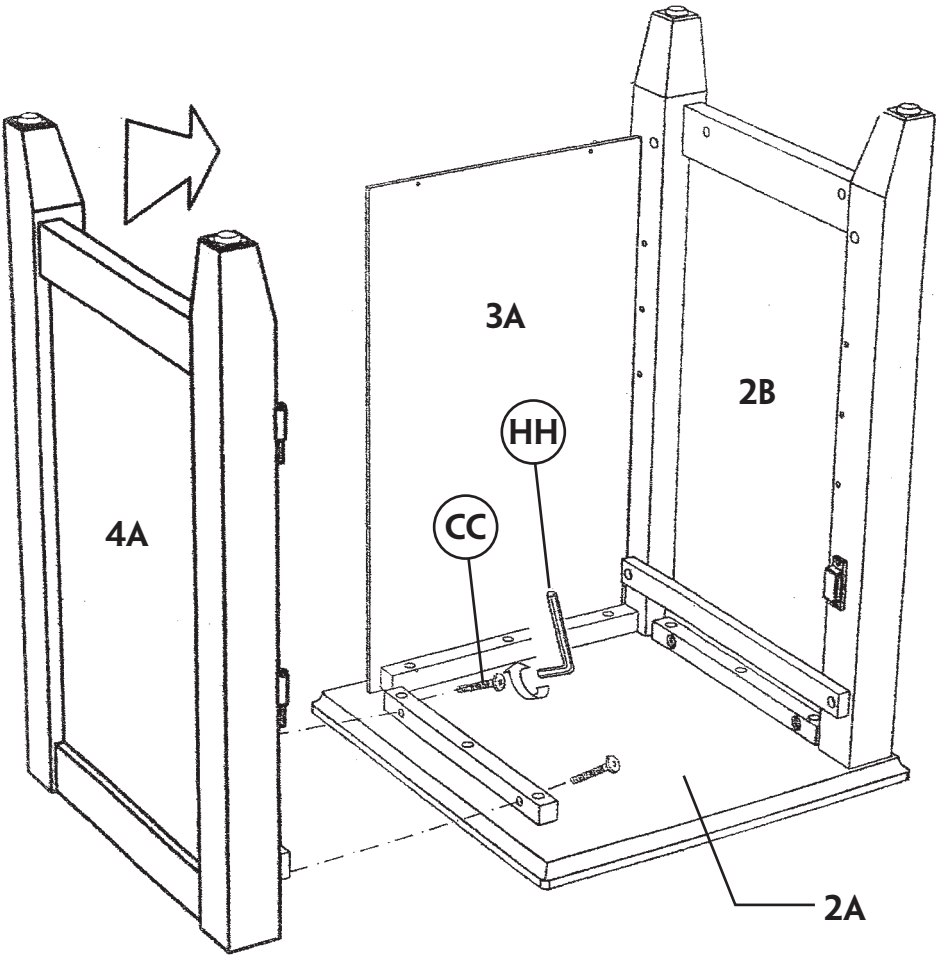


CURRENT

WHAT'S NEXT

STEP 4 : RIGHT SIDE PANEL ASSEMBLY

Using remaining components of Hardware Pack 3,
assemble the right side panel as shown below.

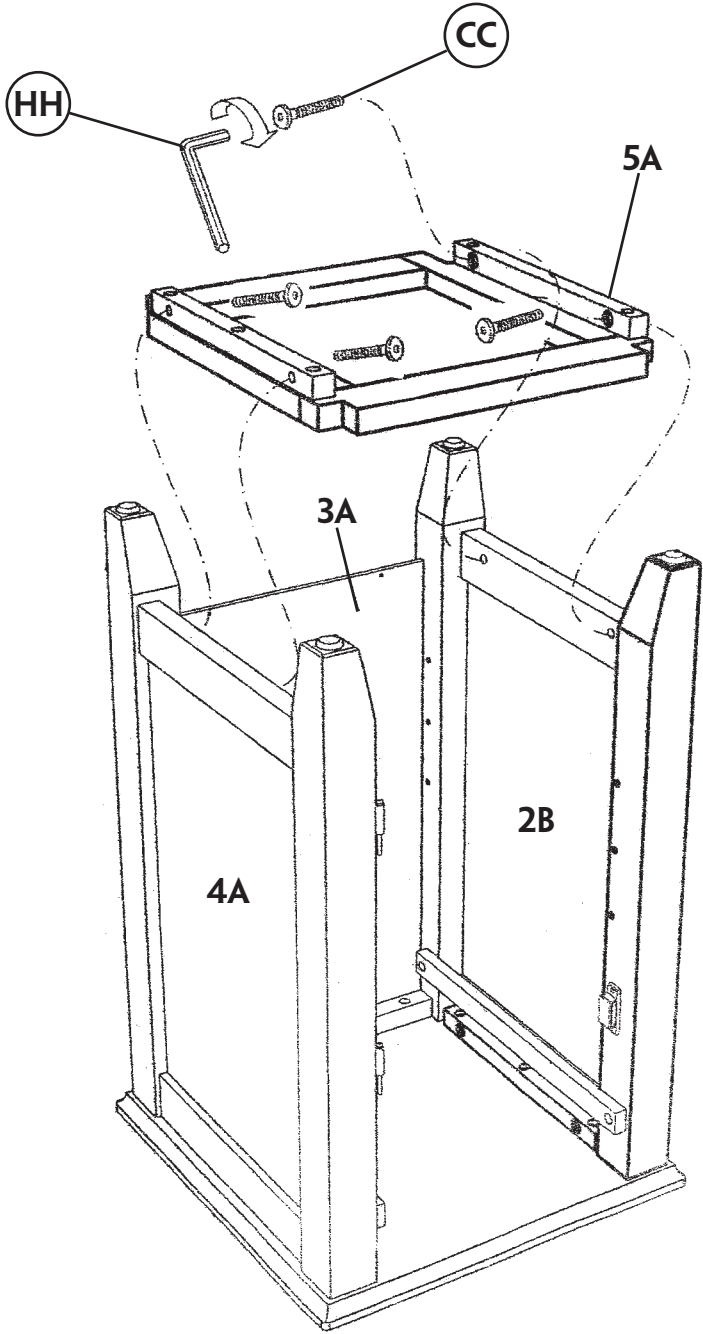


CURRENT

WHAT'S NEXT

STEP 5 : BOTTOM PANEL ASSEMBLY

Using Hardware Pack 4, assemble the bottom panel as shown below.

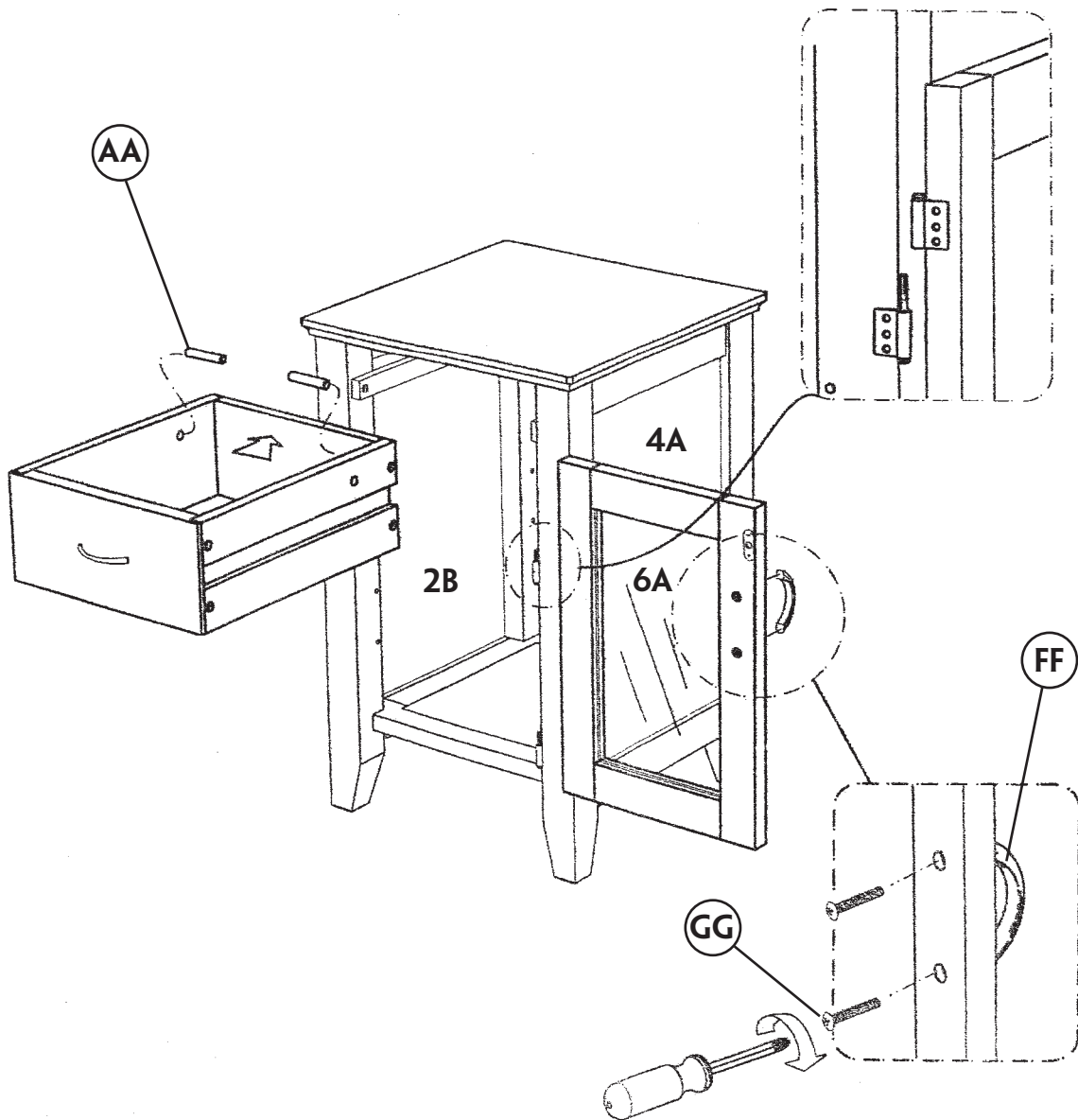


CURRENT

WHAT'S NEXT

STEP 6 : DOOR ASSEMBLY AND INSTALLATION OF DRAWER STOPS

Using Hardware Pack 5, assemble the bottom panel as shown below.
Please note that a Phillips head screwdriver will be required
for assembly (not included).

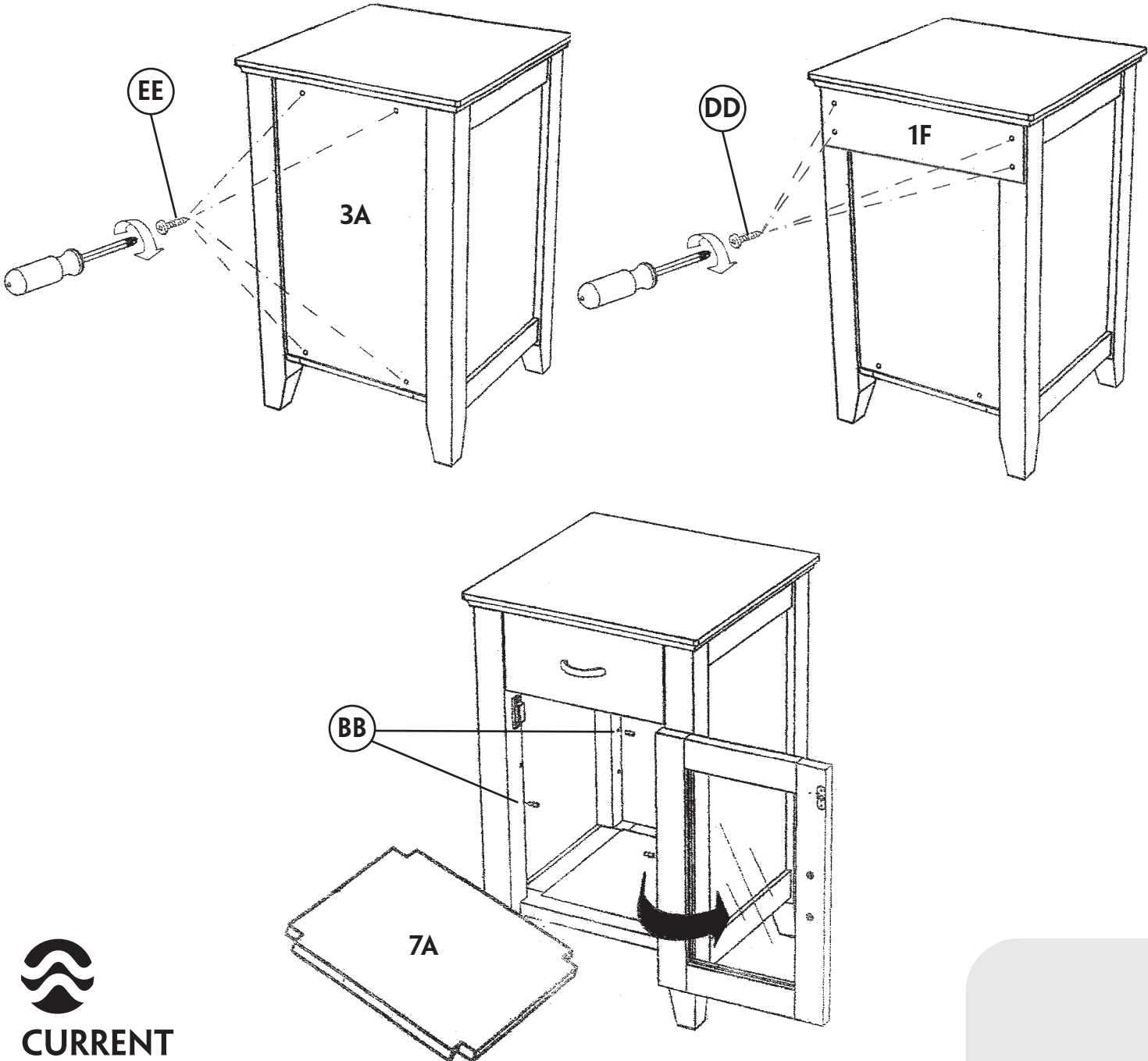


CURRENT

WHAT'S NEXT

STEP 7 : ATTACHING BACK PANELS & SHELF INSTALLATION

Using Hardware Pack 6, assemble the bottom panel as shown below.
Please note that a Phillips head screwdriver will be required for assembly (not included).



CURRENT

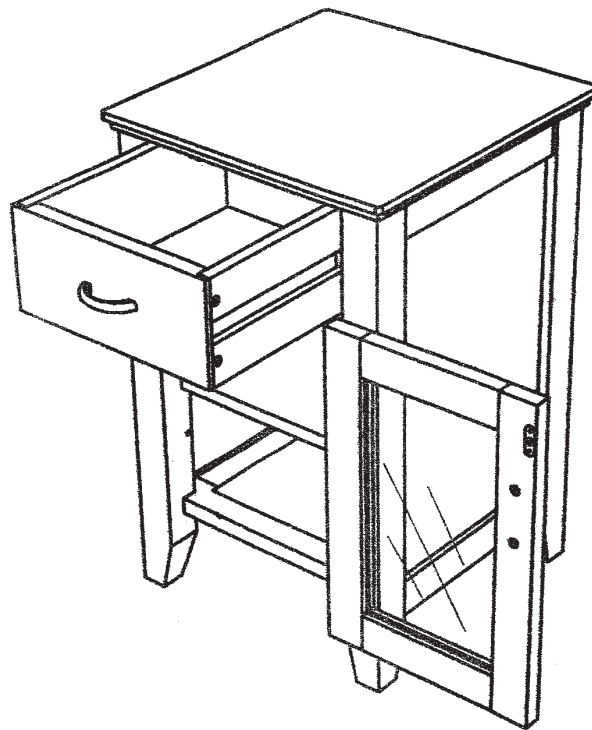
WHAT'S NEXT

WARNINGS/ASSEMBLY & CARE

WARNING:

This product is a piece of furniture, not a toy. Never allow small children to touch, climb on or play with the stand. Serious injury or death could result.

- Use only a stand designed to support the weight and size of your equipment.
- Do not exceed a maximum weight of 350 lbs. This is approximately 40 gallons of water.
- This stand is designed only for use on level surfaces only. Failure to place your stand on a level surface could cause the aquarium to leak, crack or even tip or fall).
- Always position the stand in the desired location before assembling and filling the aquarium.
- Never attempt to move the stand with the aquarium in place.
- Never remove an aquarium tank from the stand unless the aquarium tank is completely empty.



ASSEMBLY AND CARE:

Clean cabinet with a soft cotton cloth moistened with water. Do not use abrasives or cleaners. Most cleaners are toxic to aquatic organisms. Do not leave water on any of the stand's surfaces. Always wipe spilled water from the stand. Water, for prolonged periods, could damage the stand's surfaces.



CURRENT

WHAT'S NEXT

WARRANTY

CURRENT USA, INC. ONE-YEAR LIMITED WARRANTY

Current USA, Inc. warrants this product against defects in materials and workmanship of a period of ONE (1) YEAR from the date of original retail purchase and is not transferable.

Warranty on all Products, including Aquariums, is limited to replacement of the product and does not cover fish loss, personal injury, property loss or direct, incidental or consequential damage arising to the use of this product.

Note: Current-USA, Inc. One-Year Limited Warranty does not cover damage caused by the following: freezing of the evaporator, improper installation, saltwater corrosion, electrical surges, or thermostat failure or modifications.

If you discover a defect, please see your retail store or point of purchase. Current USA, Inc. will, at its option, repair or replace the product at no charge to you, provided you return it during the warranty period. It is required that you present this warranty card and a copy of the bill of sale as proof of original purchase date, in the event the product needs repairs, within the warranty period. Please see your dealer for return options and warranty replacement parts. This warranty applies only to products by or for Current USA, Inc. that can be identified by trade name, or logo affixed to them. Current-USA, Inc. does not warrant any products that are not Current-USA, Inc. products.

This warranty does not apply if the product has been damaged by accident, abuse, misuse or misapplication or if the product has been modified without the written permission of Current-USA, Inc.; or if any Current-USA, Inc. logos have been removed or defaced.

THE WARRANTY AND REMEDIES SET FORTH ABOVE ARE EXCLUSIVE AND IN LIEU OF ALL OTHERS, WHETHER ORAL OR WRITTEN, EXPRESS OR IMPLIED. Current USA, Inc. SPECIFICALLY DISCLAIMS ANY AND ALL IMPLIED WARRANTIES, INCLUDING BUT NOT LIMITED TO LOST PROFITS, DOWNTIME, GOODWILL, DAMAGE TO OR REPLACEMENT OF EQUIPMENT AND PROPERTY, AND ANY COSTS OF RECOVERING ANIMALS, PLANTS, TANKS OR OTHER AQUARIUM RELATED ITEMS AND/OR EQUIPMENT. Current USA, Inc. IS NOT RESPONSIBLE FOR SPECIAL, INCIDENTAL, OR CONSEQUENTIAL DAMAGES RESULTING FROM ANY BREACH OF WARRANTY, OR REPLACEMENT OF EQUIPMENT OR PROPERTY, OR ANY COSTS OF RECOVERING OR REPRODUCING ANY EQUIPMENT, ANIMALS OR PLANTS USED OR GROWN WITH Current USA, Inc. PRODUCTS. Some jurisdictions do not allow the exclusion or limitation of incidental or consequential damages or exclusions of implied warranties, so the above limitations or exclusions may not apply to you. This warranty gives you specific legal rights, and you may also have other rights that vary from jurisdiction to jurisdiction.



CURRENT

WHAT'S NEXT